

# Miss Philippe Starck



M281B



rosetta bassa/low rosette



C281

K281B

ottone/brass



CR cromo lucido/  
bright chrome



DS superbronzo satinato/  
superbronze satin



CO cromo satinato/  
satin chrome



US superantracite satinato/  
superanthracite satin



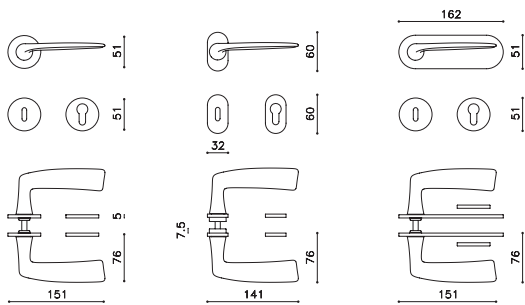
NL supernichel lucido/  
supernickel bright



NP nero opaco/  
matt black



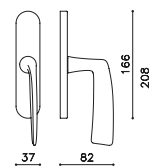
NS supernichel satinato/  
supernickel satin



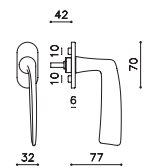
M281RB8B  
M281RY8B

M281VB8B  
M281VY8B

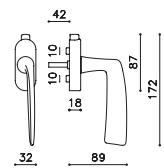
M281PB8B  
M281PY8B



C281



K281B



K281P